

FOTRIC
CONNECTING THE DIGITAL FUTURE

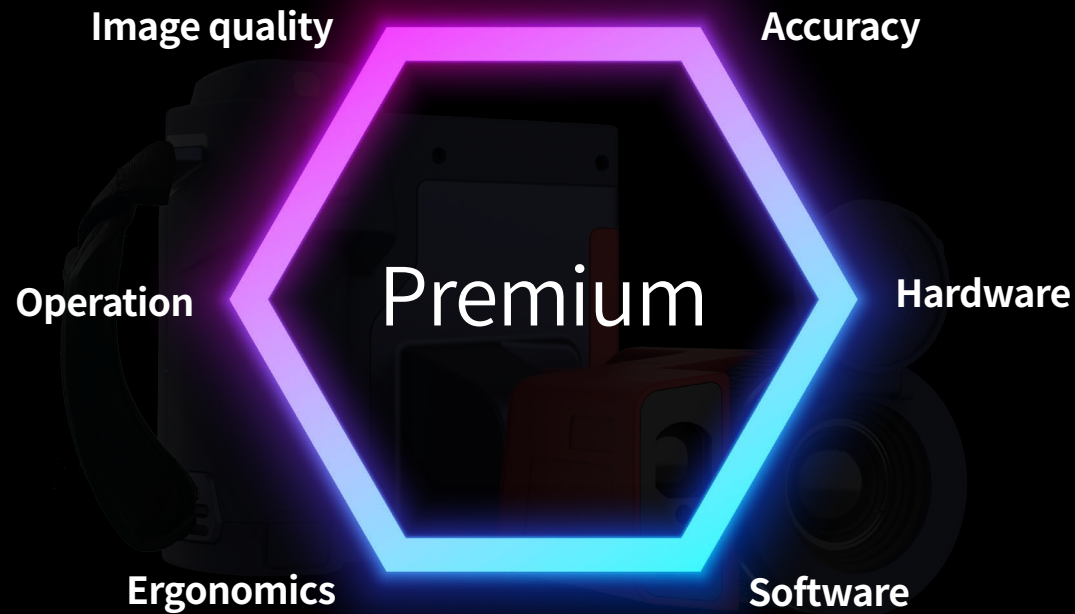
Premium Thermal Camera

FOTRIC P *Series*



Cornerstones of a Premium Thermal Camera

Here in FOTRIC, We believe that achieving an exceptional level of performance in the following six aspects is essential for a premium camera.



Compelling Image Quality -Hardware

Up to

1280*1024

IR resolution

Renders pristine image clarity and unlocks unparalleled precision for your inspection work

Covers

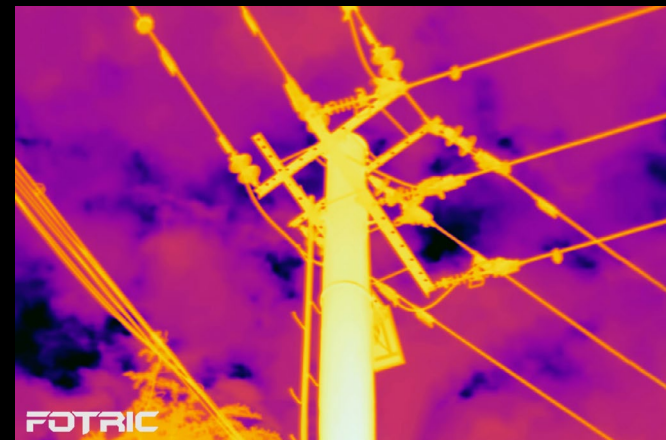
100% sRGB

Color gamut

LCD display accurately reproduces the entire sRGB color gamut, ensuring that it showcases the full extent of the camera's capabilities.



1280*1024 IR resolution (25° lens at 30m distance)

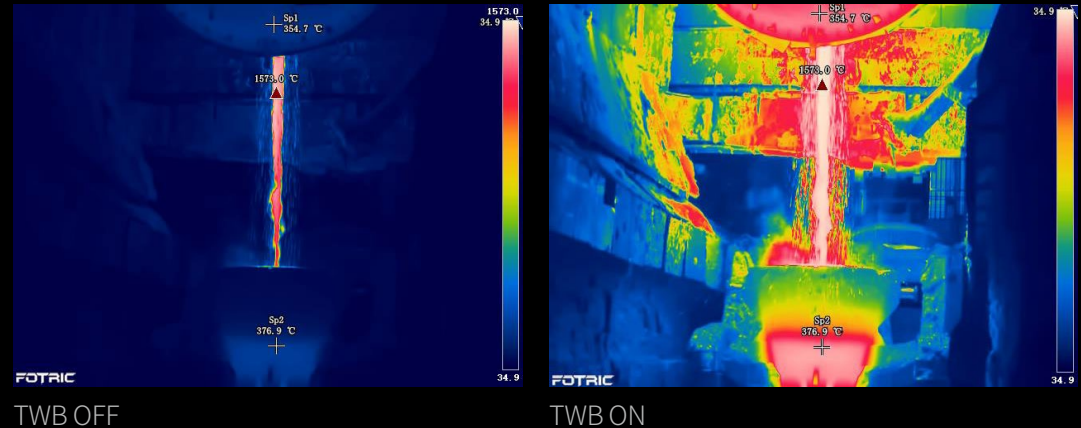


640*480 IR resolution (25° lens at 30m distance)

Compelling Image Quality -Firmware

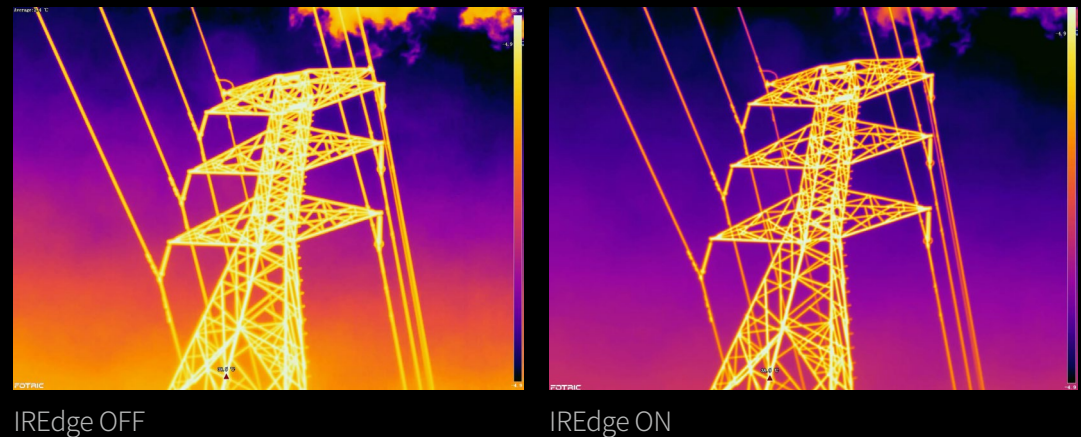
TWB (thermal white balance) Feature

Magnifies subtle differences even at broad temperature range.



IREdge Imaging Algorithm

Optimize color pixel distribution to enhance image line prominence.



Impeccable Accuracy

Reach

$\pm 1\%$

accuracy

Stay accurate at any ambient temperature

Up to

2000°C

temperature range

-20°C ~ 120°C , 0°C ~ 700°C
Extendable to -40°C and 2000°C

Up to

<1°C

image uniformity

Precise measurement throughout

Achieves

30mk

thermal sensitivity

Reveal the most subtle details



Meticulously Designed Hardware

Ergonomic Construct

Built-in 13 MP digital camera for dynamic image quality

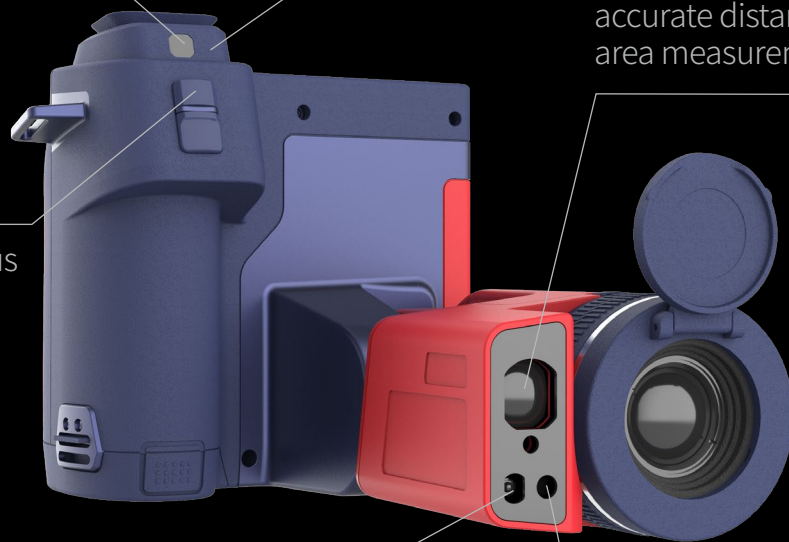
0.5 inch OLED view finder

Laser ranger for accurate distance and area measurement

TurboFocus button

Bright LED lamps to illuminate the dark

Built-in 5 MP lens-side digital camera



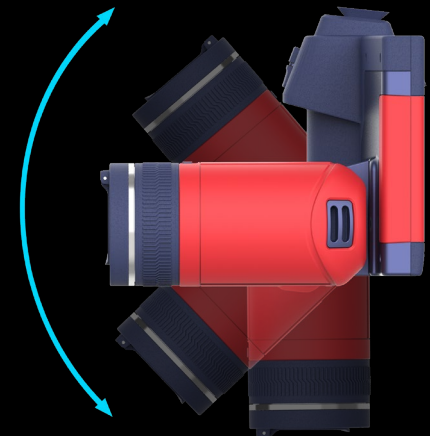
AI programmable button

Built-in speaker for temperature alarm

5" HD LCD screen



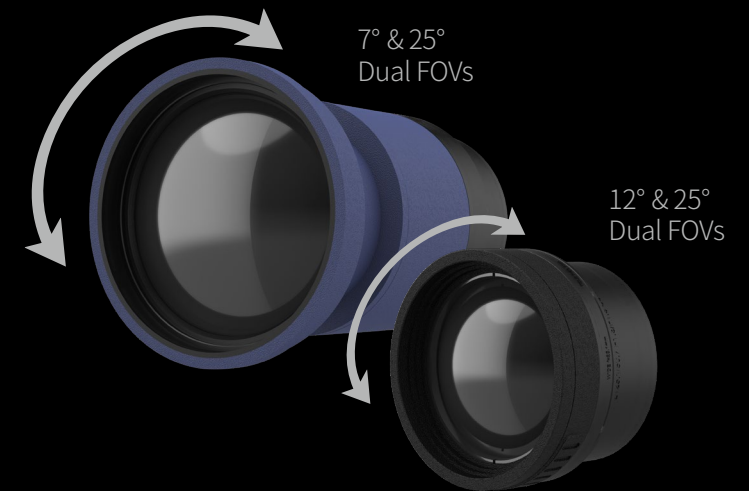
Interchangeable lens on a 40-level rotary axis, provides the finest flexibility as well as stability



Meticulously Designed Hardware

One Lens to See them All

Eliminate the need to carry and change an extra lens, saving both your time and space



25° Lens



12° Lens



7° Lens

Meticulously Designed Hardware

A Wealth of Alternatives



46°
Wide-angle Lens



25°
Standard Lens



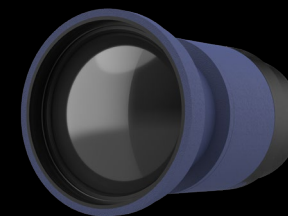
12°
Telephoto Lens



7°
Ultra Telephoto Lens



12° & 25°
Dual Field of View Lens



7° & 25°
Dual Field of View Lens

Extraordinary Operation Experience



Laser assisted area measurement

Laser-assisted measurement of area, height, and distance data.



Android platform

Interface movement stay fluid even with **1TB** max storage.



HawkAI

OCR instantly extract essential information during inspection.



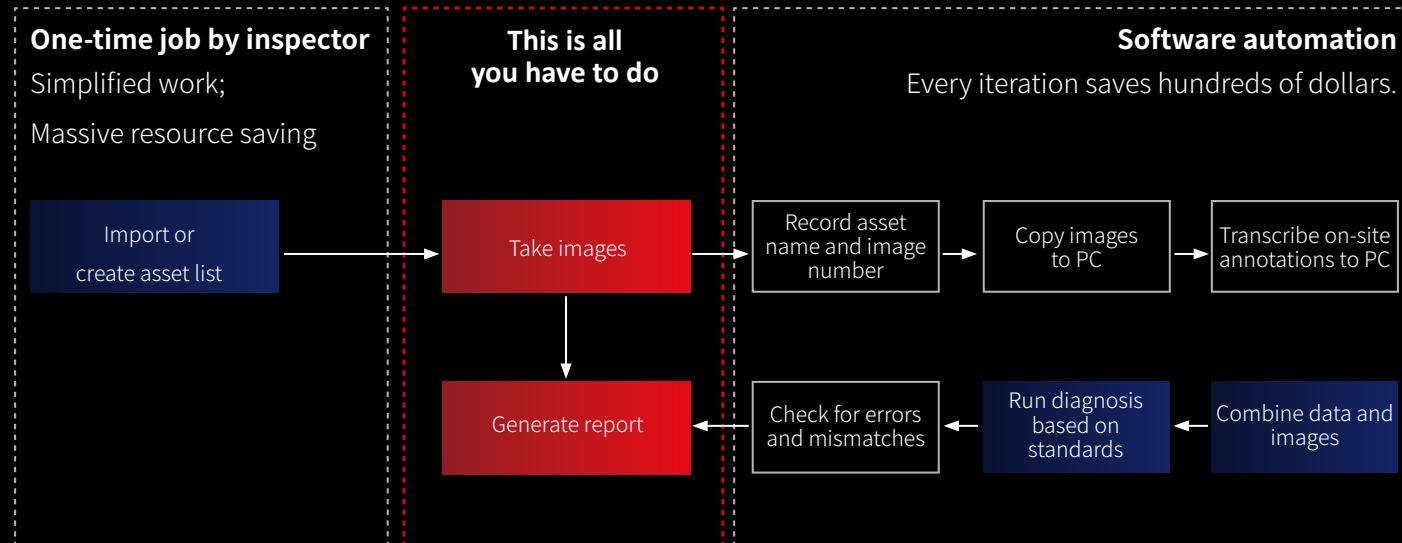
One click favorite

Filtering key information from vast sea of thermal images.



Powerful software-NaviPdM®

Boost Efficiency with AI-powered Automation





NaviPdM

Powerful software-NaviPdM®

AI assistant at your hand

Object identification & Automatic diagnosis.



Ordinary thermal camera



NaviPdM

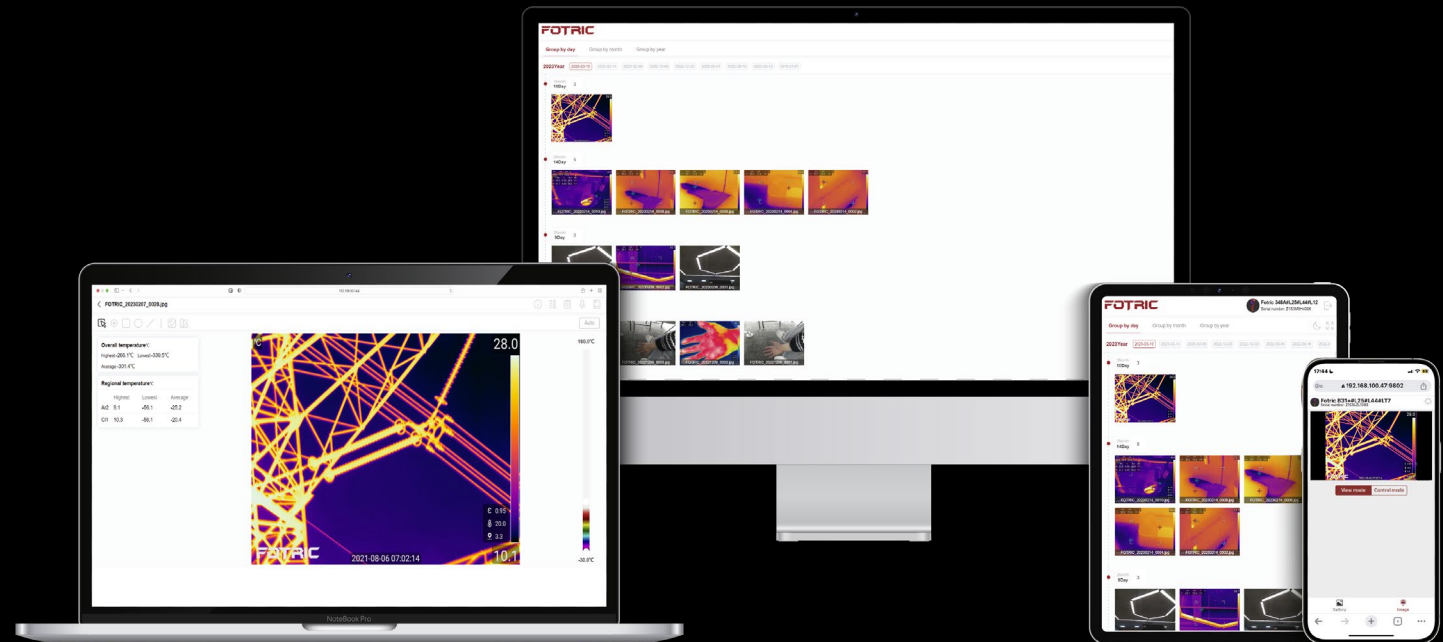


IRExplorer

Powerful software-IRExplorer™

Brings untrammelled communication

- Remote control via WiFi  or Self-equipped Hotspot 
- No need for installation
- Across any platform  Windows  Linux  MacOS/iOS  Android
- Access and edit thermal files



Specification

Model	FOTRIC P9	FOTRIC P7	FOTRIC P5
Thermal Imaging Parameters			
Infrared Resolution	1280*1024	640*480	384*288
Super Resolution (SR)	2560*2048	1280*960	768*576
Detector Type	Uncooled infrared focal plane detector		
Detector Pitch	12μm	17μm	17μm
Thermal Sensitivity (NETD)	30mk (0.03° C)		40mk (0.04° C)
Spectral Range	7 ~ 14μm		
Image Frame Rate	30Hz		
Field of View (FOV)	25° x 20°	25° x 19°	25° x 19°
Spatial Resolution (IFOV)	0.34 mrad	0.68 mrad	1.14 mrad
Minimum Imaging Distance	0.4m	0.25 m	0.1 m
Focal Lengths	f35	f24.8	f15
Focus Mode	TurboFocus® system (thermal contrast AF, laser-assisted AF, continuous AF); Touch AF; Manual		
Lens Recognition	Auto		
Optional Lens	Refer to "Lens" Sheet		
Digital Zoom	1-32x	1-16x	1-12x
Unique Features			
NaviPdM®	Support, AI inspection assistant		
T-DEF®	Support, thermal and visible light image blend, transparency 0% ~100%		
IREdge	Support, contour detail enhancement		
T-TWB®	Support, temperature visual representation normalization		

Temp Analysis			
Complete Temperature Range	-20 ° C ~ 2000 ° C		-20 ° C ~ 1550 ° C
Temperature Range	-20 ° C ~ 120° C, 0 ° C ~ 700° C, 300 ° C ~ 2000° C (Not applicable to dual-view or macro lenses)		-20 ° C ~ 120° C, 0 ° C ~ 700° C, 300 ° C ~ 1550° C (Not applicable to dual-view or macro lenses)
Temperature Range Extension	support extension: lowest to -40°C (Not applicable to dual-view or macro lenses)		
Intelligent Range	Support		
Accuracy	± 1°C or ± 1 %, whichever is greater (ambient temp at 25°C , temperature range 0° C-100° C), ± 2°C or ± 2 % for other temperature range		± 2°C or ± 2 %, whichever is greater, (ambient temp at 25°C)
Uniformity	±2 ° C or 2%		
ROI Spot	30 spot markers	25 spot markers	20 spot markers
ROI Area	30 (rectangle or circle)	25 (rectangle or circle)	20 (rectangle or circle)
ROI Line	30 measurement lines	25 measurement lines	20 measurement lines
User-definable ROI on PC software	Unlimited		
Measurement Parameters	Emissivity, Partially emissivity, Reflected temperaure, Ambient temperature, Humidity, Distance and IR window compensation.		
Temperature Rise Feature	Support		
Area Alarms	Area alarm; High temperature alarm and low temperature alarm		
Color Alarm	High temperature, low temperature, and interval isotherms		
PC Software	AnalyzeIR®,NaviPdM®		
Image Display			
Display	5inch (landscape) 1280*720		
View-Finder (Optional)	0.5 inch OLED, 800*600		
Image Mode	Thermal\Digital\Picture-in-Picture\T-DEF® Blend		

Palettes	16 standard palettes: Grey,Iron10,Iron,Rainbow,Grey10,GreyRed,MidGrey,Yellow,Rain,Rain10,Blue,GlowBow,Medical,Medical10,MidGreen,Prism. 16 inverted palettes		
Temp Span Mode	Auto (Minimum Temp Span 3°C), Manual (Minimum Temp Span 2°C), Touch-screen(Minimum Temp Span 2°C)		
High/Low Temperature Tracking	Yes, full-screen and measurement boxes both with highest/lowest temp spot marker		
Capture Features			
Digital Camera	5-mega pixel and 13-mega pixel		
Storage	SD card of 256GB memory, support expansion to 2TB	SD card of 128GB memory, support expansion to 2TB	SD card of 64GB memory, support expansion to 2TB
Capture Mode	Support on single frame, video and Time-lapse Capture		
Image/video File Formats	Standard JPEG full radiometric thermal images, digital images, .IRS full radiometric thermal videos, .MP4 non-radiometric videos		
Freeze Interface	Support single frame thermal image and radiometric video edition		
QR Code Functionality	Support QR code and Barcode scanning		
Annotation	Supprt Voice\Text\Bookmark\Favorite		
Voice Annotation Length	200 s		
Thermal Image On-device Analysis	Support		
Radiometric Video On-device Analysis	Support		
MP4 Video Recording	Support		
Gallery	Image preview and analysis, video preview and analysis		
Data Connection			
WiFi Connection	Support 2.4GHz and 5 GHz frequency, support 802.11a/b/g/n/ac		
Bluetooth Connection	BT4.2 LE, connectable to bluetooth headphone		
USB Interface	USB type-C type; conforms to USB 3.0 / 2.0 specification, supports USB OTG; USB 3.0 has a maximum speed of 5Gbps; USB 2.0 supports a maximum speed of 480Mbps, and is downward compatible with full speed (12Mbps) mode		
HDMI Interface	Micro HDMI type,Comply with HDMI 1.4 specification, support 1080p image video transmission at 60Hz frame rate		

FTP Data Transfer	Accessible through WiFi or Hotspot, rapid data transfer	
Remote Control	Support from PC Software, IRExplorer	
IRExplorer™	Support	
Auxiliary Features		
Software Upgrade	Support on OTA upgrade and local upgrade through USB	
Laser	Independent key activation; Laser level: 2; Wavelength: 635nm; Power: <1mW; Laser distance: 0.1~50m, Accuracy: d*0.01%±2mm	
Laser Measurement	Distance, Length, and Area	
Compass	Yes	
LED	Support	
Battery		
Battery Type	3.6V, 10000mAh lithium	
Battery Life	Over 2.5 hours per battery	Over 4 hours per battery
Battery Charging System	Battery charger, DC 13V charging, USB charging	
Battery Charging Time	2.5 hours to 90% full charge	
Energy Management	User-selectable screen-off modes	
AC Operation, adaptor	AC operation with included power supply (adaptor, input: 100V ac -240V ac, 50/60Hz, output 12v, 3A, 24w)	
Reliability and Certification		
Safety	EN 62368-1:2014+A11:2017 (Power Supply)	
Electromagnetic Compatibility	EN 61326-1:2013 (immunity) EN 61326-1:2013 Class A (emission) FCC 47 CFR Part15 Class A (emission)	
Shock	25g(IEC60068-2-27:2008)	
Vibration	2g (IEC 60068-2-6:1995)	
Enclosure Rating	IP54	
RoHS	Yes	

Physical Parameters	
Operating Temperature	-20°C to +50°C (-4 °F to 122 °F)
Storage Temperature	-40°C to +70°C (-40 °F ~158 °F) without battery
Relative Humidity	< 95%RH
Size (H x W x L)	175*151*95mm
Weight (withouth lens)	1.3kg
Hard Case	Hard rubber: PC + ABS, Soft rubber: TPE,Magnesium alloy, Flame retardant grade: UL94 HB
Tripod	UNC ¼"-20 interface
Warranty	2 years (standard), extended warranties are available,10 years for core detector
Recommended Calibration Cycle	2 years (assumes normal operation and normal aging)
Languages	English, Spanish, German, Italian, Korean, Portuguese, Chinese Traditional
Packaging	Thermal imaging camera, lens, lens cap, 3 rechargeable lithium batteries, battery charger, power adapter, USB Type-C to USB interface cable, Micro HDMI interface to HDMI, SD card, SD card reader, accessory bag (wrist strap), information bag (packing list, calibration certificate, user manual), portable soft bag, hard case

Model	IR Resolution	Lens	Standard	Wide-angle	Telephoto	Ultra-telephoto	Dual view 25/12	Dual view 25/7	Macro 50	Macro 20	Macro 100
P9	1280*1024	FOV	25° x 20°	46° x 37°	12° x 10°	—	—	—	64mm*51.2mm	—	—
		Ifov	0.34 mrad	0.63 mrad	0.16 mrad				50µm		
		Minimum Distance	0.4 m	0.2 m	1.3 m				99mm		
		Focal Length	35 mm	17.3 mm	73.2 mm				26mm		
		Measurement Range	-20~120°C , 0~700°C , 300~2000°C	-20~120°C , 0~700°C , 300~2000°C	-20~120°C , 0~700°C , 300~2000°C				-20~120°C , 0~700°C		
P7	640*480	FOV	25° x 19°	46° x 35°	12° x 9°	7° x 5°	25° x 19° \12° x 9°	25° x 19° \7° x 5°	32mm*24mm	12.8mm*9.6mm	—
		Ifov	0.68 mrad	1.25 mrad	0.33 mrad	0.19 mrad	0.68 mrad\0.33 mrad	0.68 mrad\0.19 mrad	50µm	20µm	
		Minimum Distance	0.25 m	0.1 m	1 m	3 m	0.25 m\1 m	0.25 m\3 m	98mm	29mm	
		Focal Length	24.8 mm	13.7 mm	51.2 mm	82.5 mm	25.1 mm\ 50.7 mm	25.4 mm\ 76.8 mm	28mm	49mm	
		Measurement Range	-20~120°C , 0~700°C , 300~2000°C	-20~120°C , 0~700°C , 300~2000°C	-20~120°C , 0~700°C , 300~2000°C	-20~120°C , 0~700°C , 300~2000°C	-20~120°C , 0~700°C	-20~120°C , 0~700°C	-20~120°C , 0~700°C	-20~120°C , 0~700°C	
P5	384*288	FOV	25° x 19°	46° x 35°	15° x 11°	7° x 5°	25° *19° \12° *9°	—	19.2mm*14.4mm	—	38.4mm*28.8mm
		Ifov	1.14 mrad	2.09 mrad	0.68 mrd	0.32 mrad	1.14mrad\ 0.55mrad		50µm		100µm
		Minimum Distance	0.1 m	0.1 m	0.25 m	1 m	0.25m\1m		98mm		150mm
		Focal Length	15 mm	8 mm	24.8 mm	51.2 mm	15mm\31mm		28mm		25mm
		Measurement Range	-20~120°C , 0~700°C , 300~1550°C	-20~120°C , 0~700°C , 300~1550°C	-20~120°C , 0~700°C , 300~1550°C	-20~120°C , 0~700°C , 300~1550°C	-20~120°C , 0~700°C		-20~120°C , 0~700°C		-20~120°C , 0~700°C

TRANSMETRA GmbH

Messtechnik mit KnowHow.

052 624 86 26

info@transmetra.ch

www.transmetra.ch