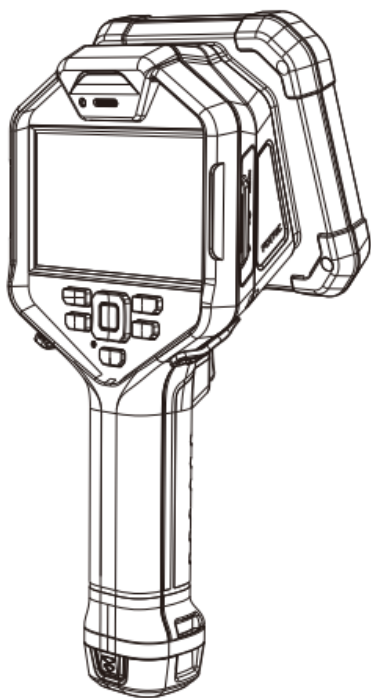


FOTRIC Handheld Acoustic Camera

Quick Start Manual





FOTRIC

CONNECTING THE DIGITAL FUTURE

Symbols

For the symbols that appear in the documentation, the descriptions are listed below.

 Warning	 Caution
Potential death or serious injury inducing hazards	Potential danger of injury or property damage

Safety information

The purpose of this section is to ensure that the user uses the product properly to avoid danger or property damage.

Before using this product, please read this instruction manual carefully and keep it in a safe place for future reference.

Warning

- Never disassemble or modify the thermal imaging camera battery. The battery is equipped with safety and protective devices which, if tampered with, may cause the battery to overheat and may also cause an explosion or burn. If the battery is leaking and the leak gets into your eyes, do not rub it, wash it with water and get immediate medical attention.

- Thermal imaging cameras that use a laser pointer. Do not view the laser beam directly with the human eye. The laser beam can cause eye irritation.
- If the unit is not working properly, contact your dealer or our company and do not disassemble or modify the unit in any way (unauthorized modifications or repairs cause problems at your own risk).

Caution

- Avoid using the product in humid, dusty, extremely hot or cold environments, please refer to the product's parameter table for specific temperature and humidity requirements.
- Do not touch the sensor or lens directly to avoid staining and damage from oil and various chemicals. If cleaning is necessary, moisten a clean cloth and gently wipe off any dust. Close the lens cap when the camera is not in use.
- When the camera is turned on, it may take approximately 5-10 minutes for the camera to warm up before taking accurate readings.
- Avoid focusing or prolonged observation on the sun or objects with extremely high temperatures, as this may result in reduced sensor life damage or temporary black spots (minor cases can be recovered after calibrating the NUC, severe cases can result in permanent irreversible damage to the detector).

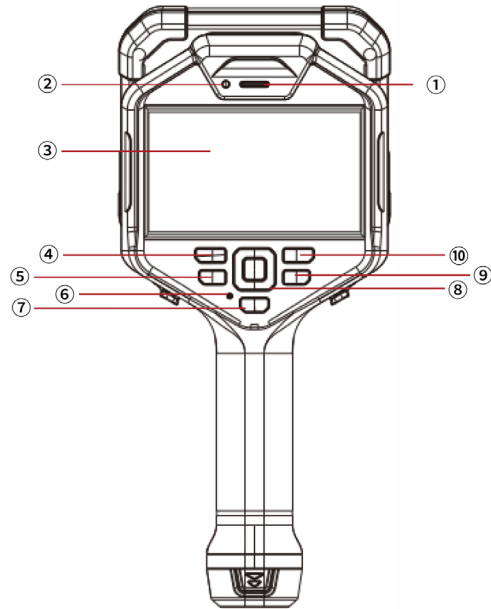
- Avoid damage to the sensor caused by over-range use of the device.
- It is strongly recommended to use the original power adapter, the specific requirements of the power adapter are shown in the product data sheet.
- To prevent the potential danger of data loss, always make a copy (backup) of your data on a computer.
- When storing the camera, it is strongly recommended to use the original box and to keep it in a cool, dry, ventilated environment free from strong electromagnetic fields.
- When shipping the camera, it is strongly recommended that it be shipped protected in its factory packaging.

Contents

Camera Components	1
Interface Introduction	5
Quick Start.....	11
About This Manual.....	12
How to Contact FOTRIC	14

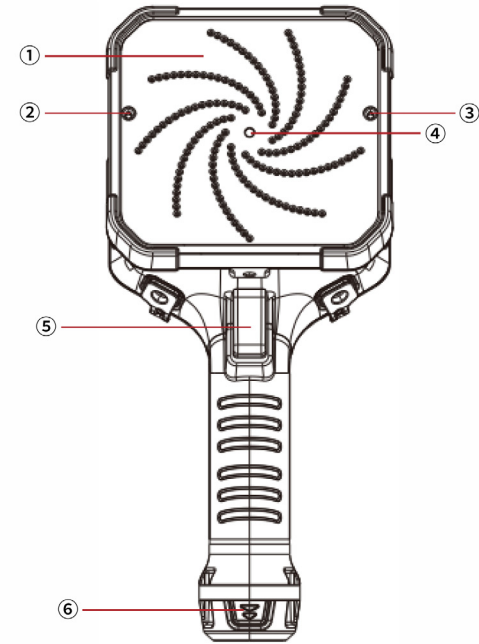
Camera Components

Front View



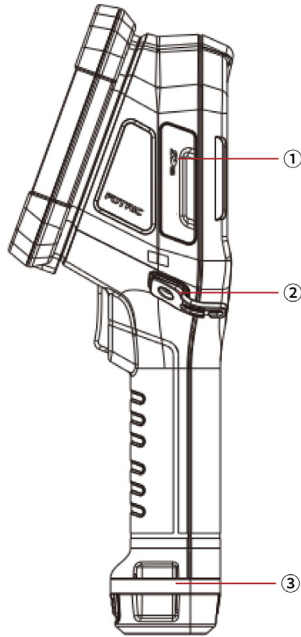
- ① Speaker
- ② Status Light
- ③ 5" LCD Screen
- ④ Power Button
- ⑤ LED Button
- ⑥ Microphone
- ⑦ AI Button
- ⑧ Confirm Key and Arrow Keys
- ⑨ Back Button
- ⑩ Gallery Button

Rear View



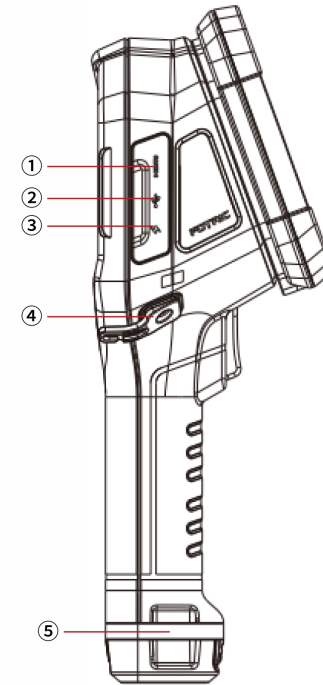
- ① Acoustic Module
- ② LED Flash Light
- ③ LED Flash Light
- ④ Digital Camera
- ⑤ Capture Button
- ⑥ Battery

Left View



- ① SD Card Socket
- ② Wrist Strap Bracket Fixing Point
- ③ Wrist Strap

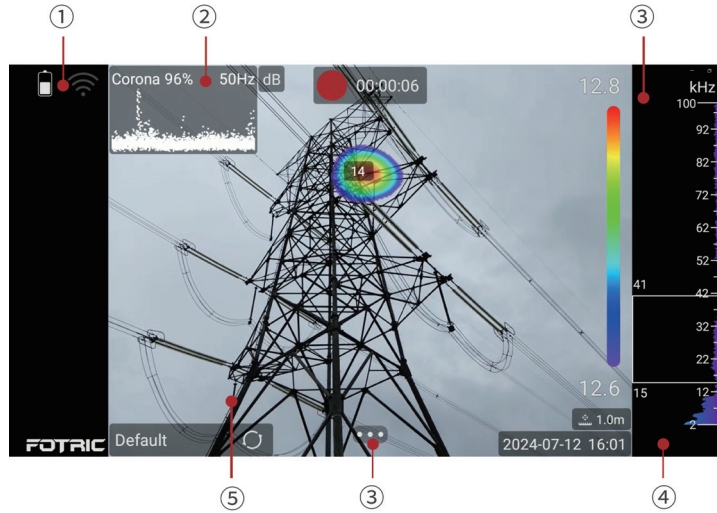
Right View



- ① Micro-HDMI Interface
- ② USB Type-C Interface
- ③ Power Supply Interface
- ④ Wrist Strap Bracket Fixing Point
- ⑤ Wrist Strap

Interface Introduction

Main Interface



① Displays all read-only information. Contains: logo, time, battery, Bluetooth, WiFi, compass, current temperature range, SD card capacity low reminder icon and more.

② Displays PRPD chart, diagnostic type, severity, AC frequency, distance, global units (dB), compass, leakage, leakage level, cost, and more..

③ Includes acoustic parameters, focus mode, measurement tool, palettes, detection mode, settings

④ Palette and frequency spectrum: displays the color palette for signals and the frequency distribution spectrum.

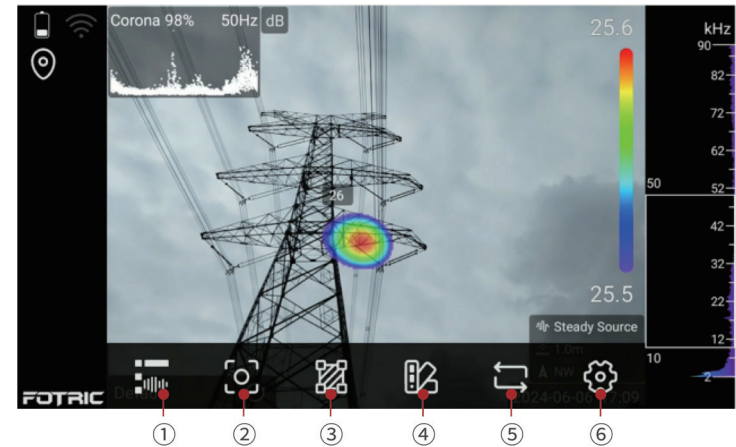
⑤ Displays real-time acoustic video and image.

System menu



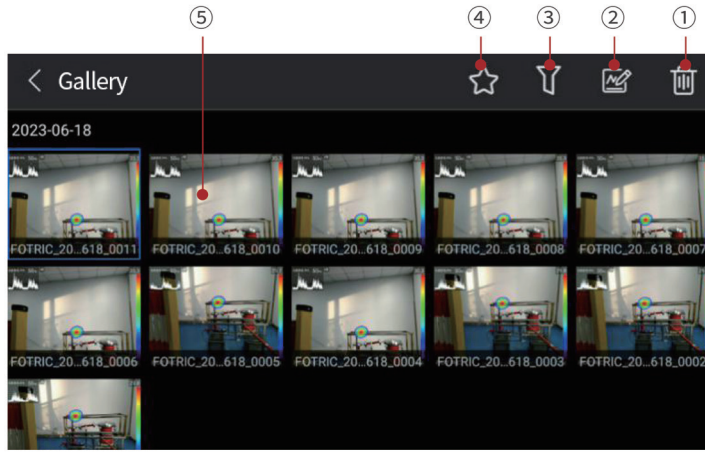
- ① Include signal source mode selection (single source, multi-source, and hologram mode) and T-FFTD signal delay mode selection (steady source, transient source).
- ② Turn on the acoustic image focus and the sound image screen will only detect sound sources within the focus frame
- ③ Apply spot and circle, set distance.
- ④ Red-blue, iron-red, gray-white, more (grayscale, transparency).
- ⑤ Switch between partial discharge detection, leak detection and leak evaluation mode.
- ⑥ Access capture mode, connection, storage & save options, device set, AC device set, plug-in manager, etc.

AC Mode Interface



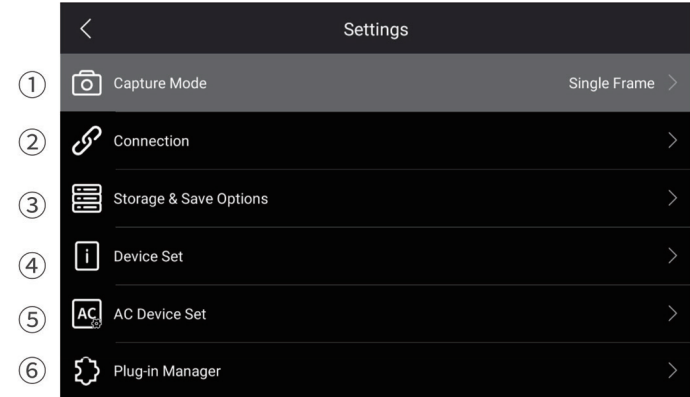
- ① Include signal source mode (single, multi, and hologram mode) and T-FFTD® signal delay option.
- ② Turns the acoustic focus on or off.
- ③ Add spot , circle and apply distance parameter.
- ④ Palette Selection.
- ⑤ PD Mode (partial discharge), LQ mode (leak) , and LQ eval mode(leak evaluation) settings.
- ⑥ Access capture mode, connection, storage & save Options, device set, plug-in manager, etc.

Gallery



- ① Display the captured photos and videos. Short click to select, long press to multi-select.
- ② Display only images with the favorite toggle activated.
- ③ Filtering by tags attached to the images.
- ④ Enter the analysis mode to analyze the captured pictures and video files.
- ⑤ Delete the selected file.

System Settings



- ① Switch between single-frame capture and MP4 recording.
- ② WLAN, portable hotspot, bluetooth and FTP transfer.
- ③ Video format, freeze-frame, file naming format, delete all saved files.
- ④ Language time and region setting, USB mode, display setting, geographic location, LED as flash, volume, reset, device information, etc.
- ⑤ Leak evaluation parameters, acoustic image focus range, frequency configuration, display dB value, AC frequency, SPL normalization, measurement enhancement and other settings.
- ⑥ Plug-ins for business and services, etc.

Quick Start

Please follow the steps below:

1. Make sure the battery is fully charged.
2. Place the battery in the camera's battery compartment.
3. Insert the SD card into the corresponding slot.
4. Long press the power button to turn on the device.
5. Aim the camera at the target object.
6. Press the snapshot button once to freeze the image.
7. Press the snapshot button again to save the image.
8. Download the respective FOTRIC software at '<https://www.fotric.com/support>'.
9. Transfer the images from the camera to PC, import them into the software for further analysis and report generation.

About This Manual

This manual is used as a guide and the photos, graphics, icons and illustrations provided in the manual are for explanation and illustration purposes only and may differ from the specific product, please refer to the actual product. This manual may be updated by FOTRIC without notice due to product version upgrade or other needs.

The trademarks and images used in this manual are for illustrative purposes only and are the copyright of the trademark owner.

Disclaimers

the products (hardware, software, etc.) provided in this manual may be defective, faulty or malfunctioning, and fotric disclaims all warranties of any kind, express or implied, including, but not limited to, warranties of merchantability, satisfactory quality, fitness for a particular purpose, non-infringement of third party rights, etc. fotric will not be liable for any special, incidental, consequential or indirect damages arising out of the use of this manual or our products. including, but not limited to, damages arising from loss of business profits, loss of data or documentation.

To the maximum extent permitted by law, our liability will not exceed the amount you paid for the product.

After the product is connected to the Internet, it may be

exposed to risks including but not limited to network attacks, hacker attacks, virus infections, etc. The Company will not be responsible for any abnormal operation of the product, information leakage, etc. as a result, but will provide you with technical support in a timely manner.

The products can sense motion detection and fire events when properly installed and configured, but cannot prevent accidents or resulting personal injury or property damage.

Thermal imaging products are classified as export controlled by the United Nations Security Council (UNSC), the United States, and the European Union (EU), as well as national export regulations of their own country and/or region.

Countries subject to sanctions, embargoes, or prohibitions include Belarus, Burundi, Balkan-related sanctions (such as former Yugoslavia, some sanctions in Kosovo, Bosnia and Herzegovina), Cuba, Central Africa, Congo (Brazzaville), Iran, Iraq, Lebanon, Libya, North Korea, Russia, Syria, Sudan, South Sudan, Somalia, Venezuela, Yemen, Zimbabwe, and any other countries that may be designated from time to time. You will be responsible for any loss or liability arising from the above actions.

In using this product, you are requested to strictly comply with applicable laws. You agree that this product is for civilian use only.

In the event of a conflict between the above and the applicable law, the provisions of the law shall prevail.

How to Contact FOTRIC

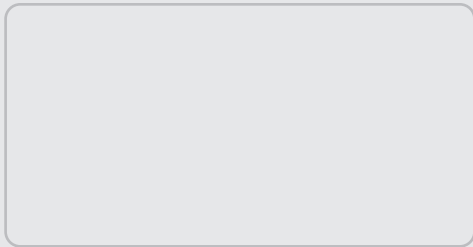
If you need to contact FOTRIC, please address the following

✉ info@fotric.com

🏠 www.fotric.com

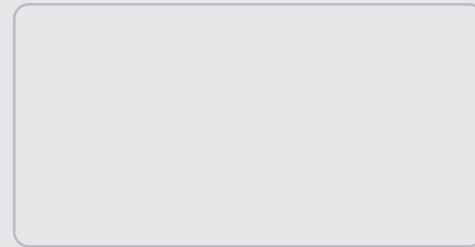
Warranty Card

Thank you for choosing FOTRIC. We design products to deliver long-lasting performance under our warranty policy (starting from date of original purchase). If any manufacturing defects appear under normal use, the product will be repaired or replaced by FOTRIC INC. with no cost to the owner.



Certificate of QC

This is to certify that the device or instrument listed on this card meets the requirements of FOTRIC quality control procedures.





FOTRIC technical standards are formulated following the international standards for the industrial testing infrared thermal imager and the relevant standards cited therein, as listed below:

IEC 60529:1989+A1:1999+A2:2013 Enclosure protection grade (IP 54)

IEC 60068-2-27:2008 Environmental test (Shock)

IEC 60068-2-6:2007 Environmental test for electrical and electronic products (Vibration)

EN 61010-1:2010/A1:2019 Safety requirements for electrical equipment for measurement, control, and laboratory use

EN IEC 61326-1:2021 Electrical equipment for measurement, control, and laboratory use - EMC requirements - Part 1: General requirements

FCC 47 CFR Part 15 RADIO FREQUENCY DEVICES



Innovation Excellence Integrity

Company Disclaimer

Equipment described herein may require EU, US and UNSC authorization for export purposes.

Imagery for illustration purposes only.

Specifications are subject to change without notice.

FOTRIC INC. © 2024 All Rights reserved.

FOTRIC INC.